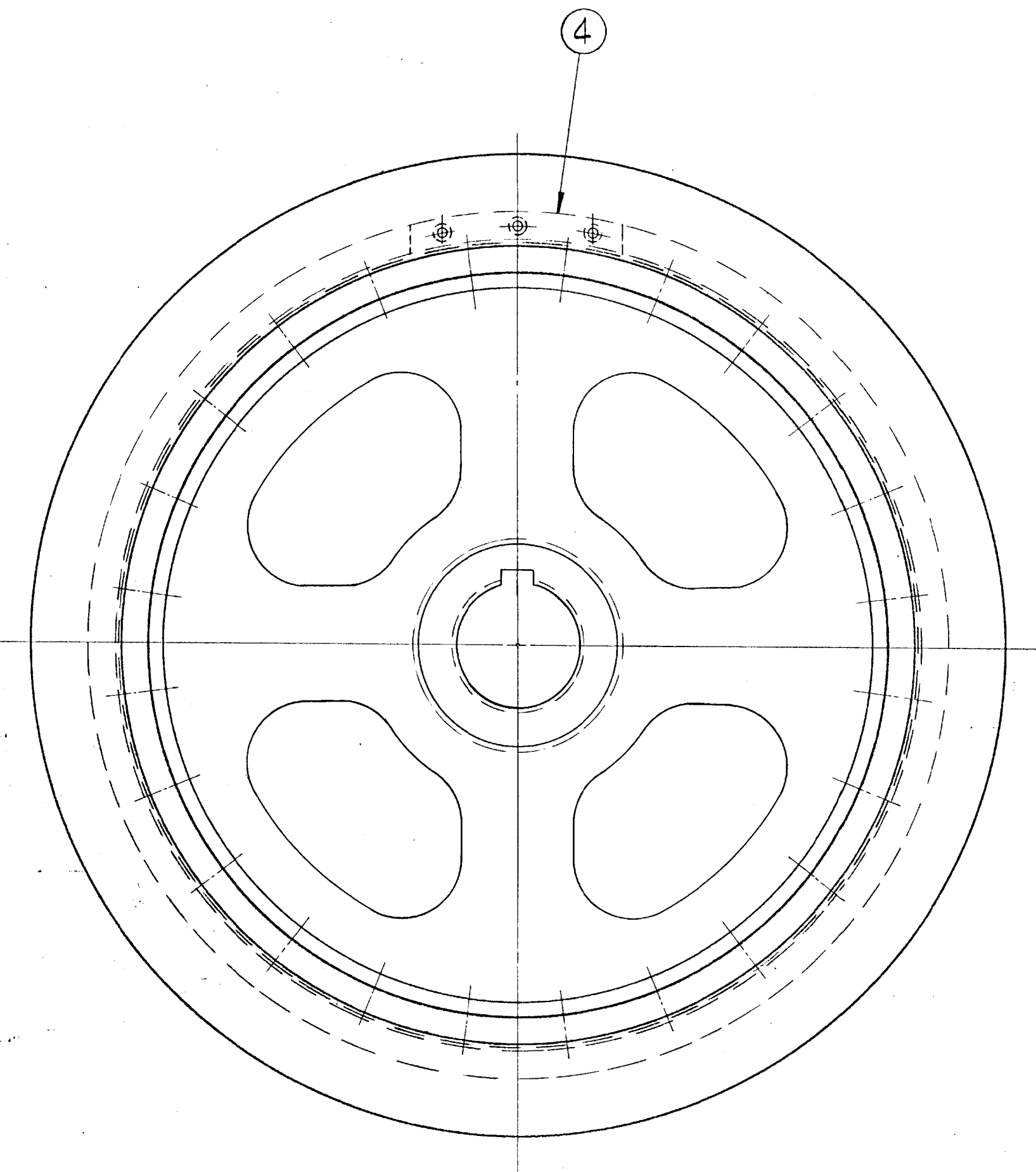
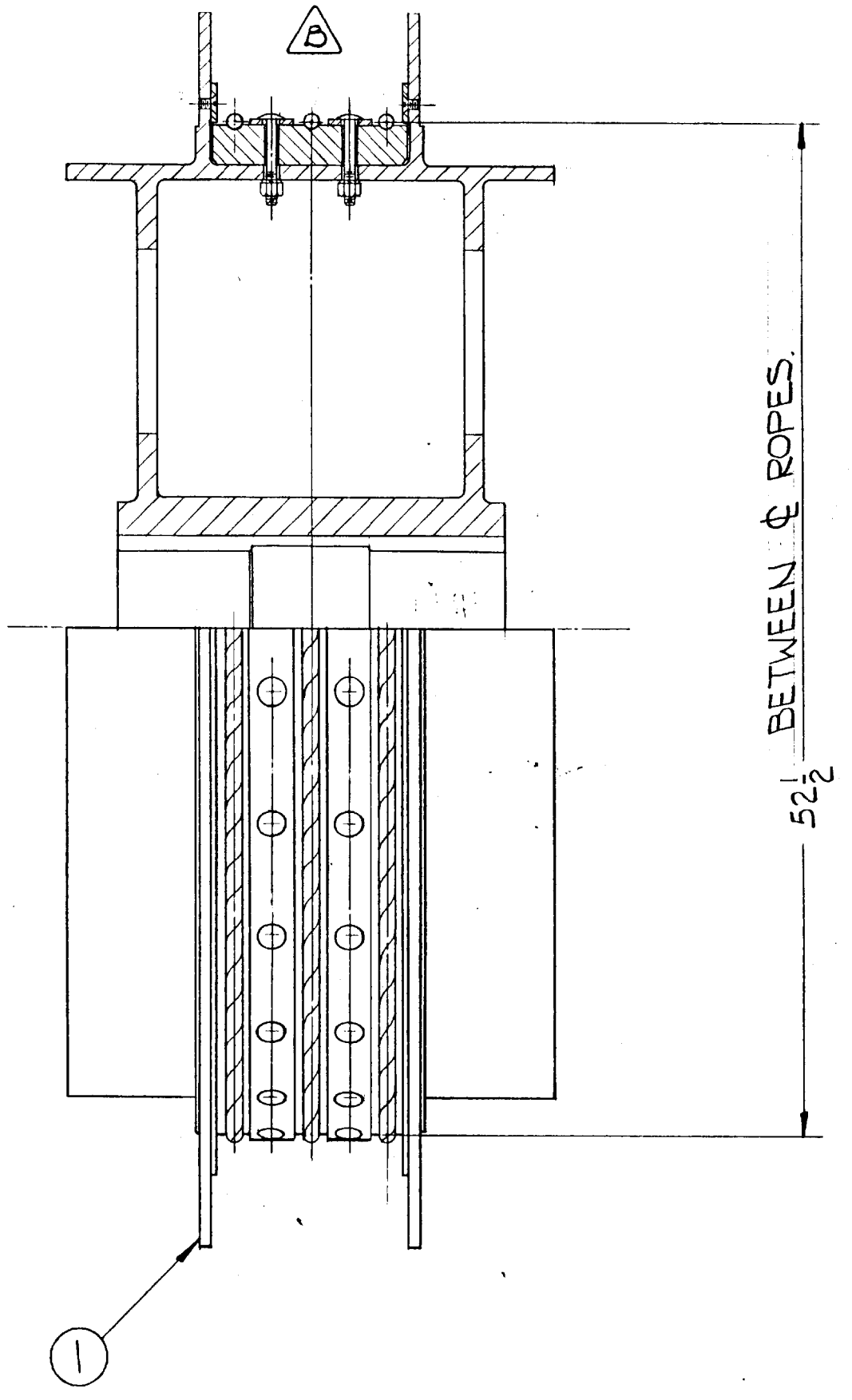
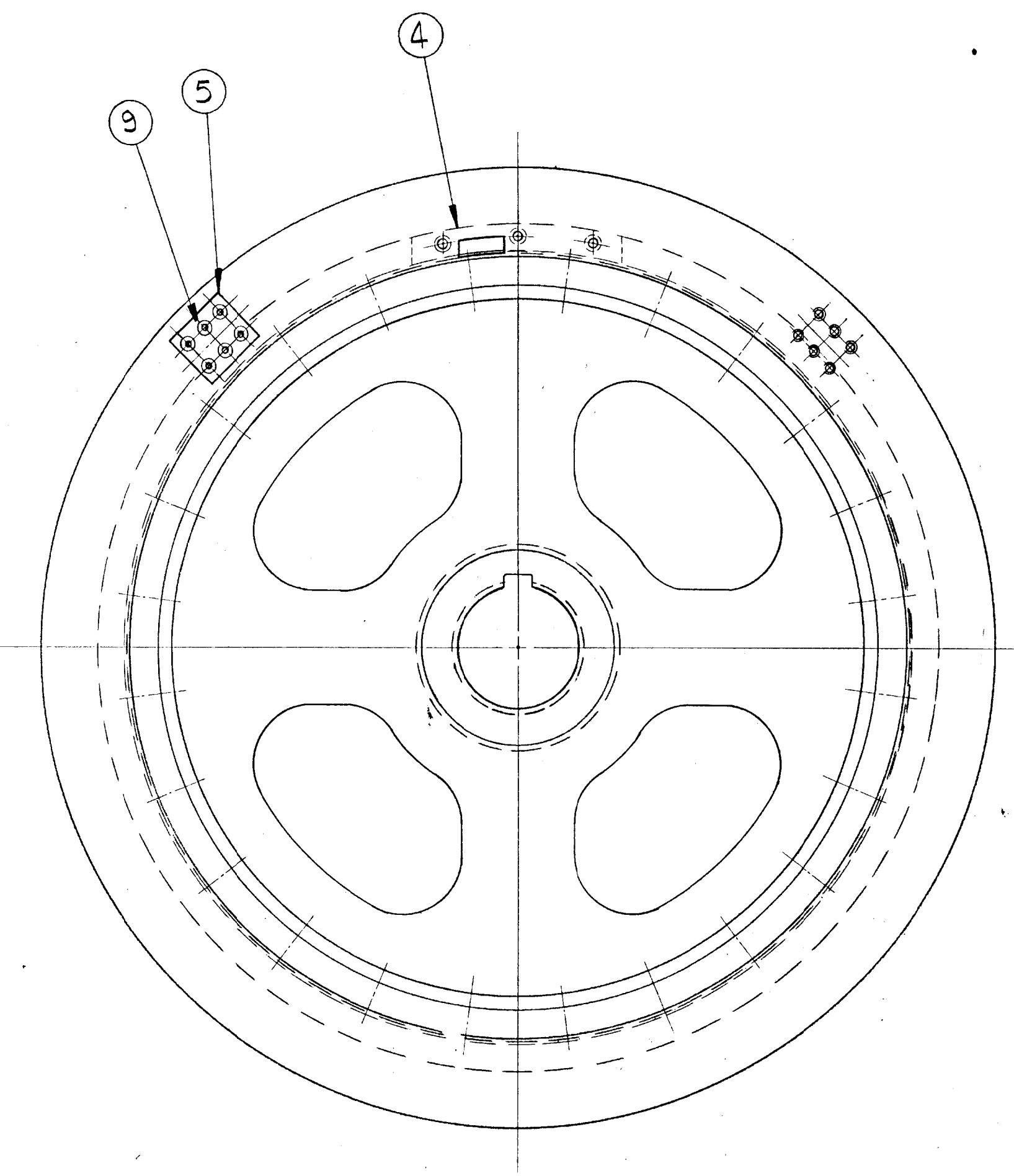
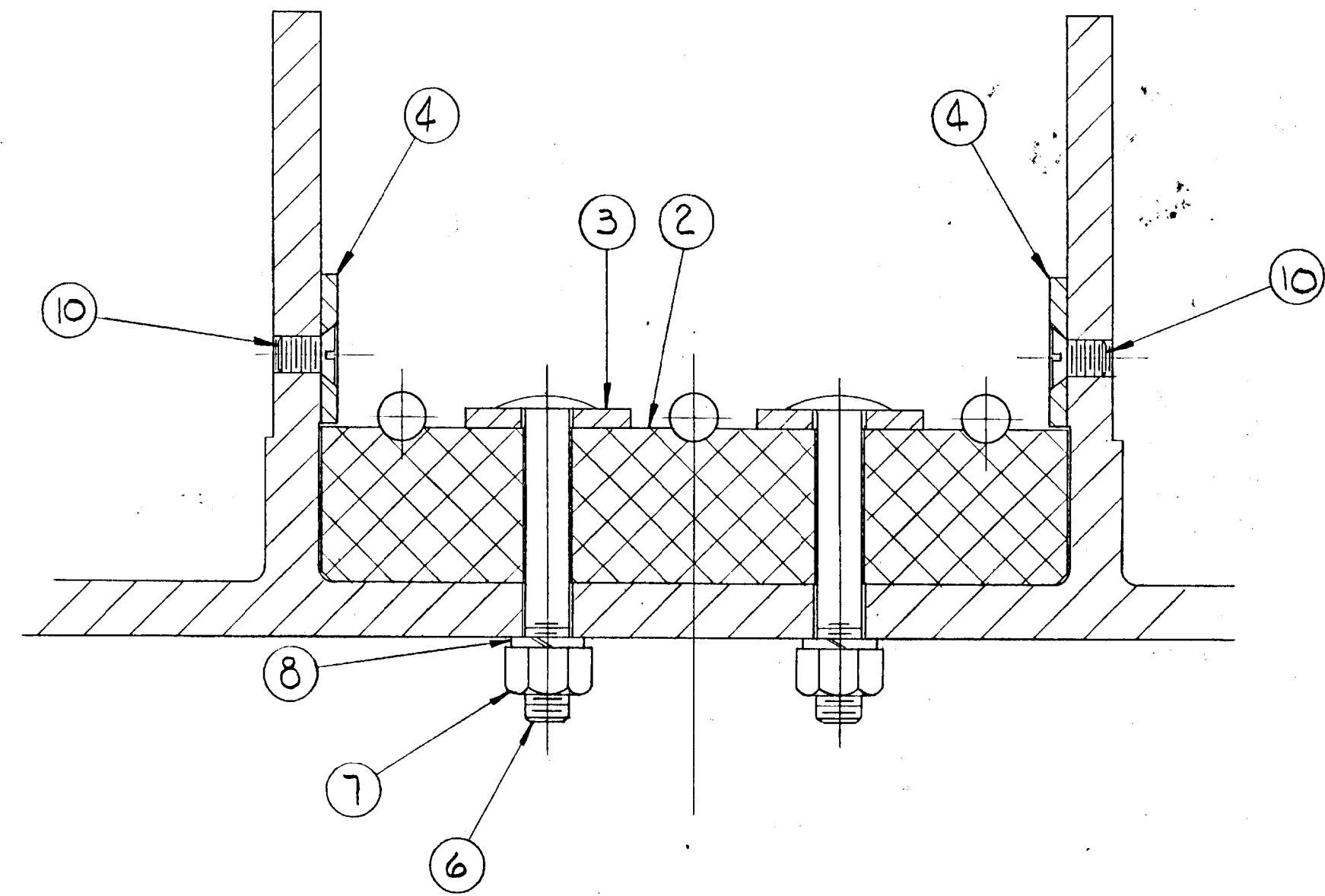


NO. 44-703

IMPORTANT!

This drawing and the information contained therein is the property of Nordberg Manufacturing Company and may not be used without the written consent of Nordberg.

SPECIFICATION FOR 1 SET									
NO. REQ.	NAME OF PART	ITEM NO.	DWG. NO.	PART CODE NO. OR PART NO.	MATERIAL MAT'L. CODE NO.	REMARKS OR PATT. NO.	FIN. WGT. LBS. EACH		
1	5 1/2" DIA. x 9 3/4" FACE FRICTION WHEEL	1	44-702						
12	LINER BLOCK	2	24-1526						
8	LINER STRIP	3	44-493						
2	RETAINER SEGMENT	4	44-1494						
1	ROPE CLAMP	5	24-1527						
48	5/8"-11x4" ROUND HEAD CARTRIDGE BOLT	6			STEEL	CUT THREADS			
48	5/8"-11 HEX. NUT	7		3001041					
48	5/8"-11 LOCK WASHER	8		3064482					
6	5/8"-11x1/4" SOCK. HEAD CAPSCREW	9		2783791					
6	1/2"-13x3/4" FLAT HEAD CAPSCREW	10		2767271					



1	U.S. SMELTING	7030	
SETS USED FOR		ORD. NO.	REMARKS
NORDBERG MFG. CO. MILWAUKEE, WIS.			
SCALE 1/2" = 6" ± 0.010 TOLERANCE ON FINISHED DIMENSIONS IS ± 0.015 UNLESS OTHERWISE SPECIFIED			
FINISH ON ALL FINISHED SURFACES EXCEPT AS OTHERWISE SPECIFIED			
DRAWN	CLP	DATE	CHECKED
TRACED	DATE	APPROVED	DATE
SUPERSEDES	BY DWG. NO.	SUPERSEDED	BY DWG. NO.
PRODUCT	MINE HOIST		
COMMODITY CLASSIFICATION			
TITLE			
5 1/2" DIA. x 9 3/4" FACE FRICTION WHEEL ASSEMBLY			
REV.	DESCRIPTION OF CHANGE	DATE	BY
1	REMOVED GROOVE TRACING NOTE	4-5-65	RGL
2	5/8"-11x4" CARTRIDGE BOLT CHANGED TO 3" x 1 1/4" LG.	5-1-65	CLP
ORDER NO.	SETS	PART CODE NO.	GROUP-3