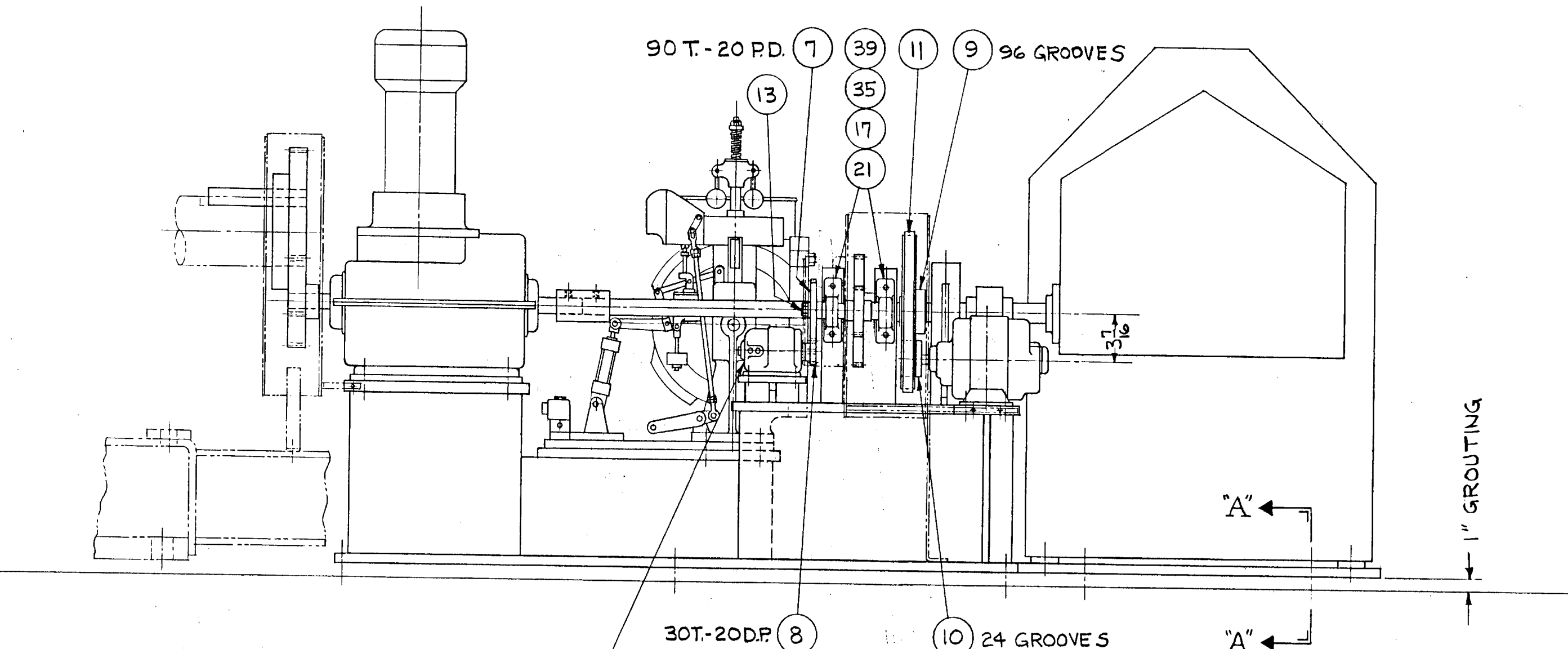


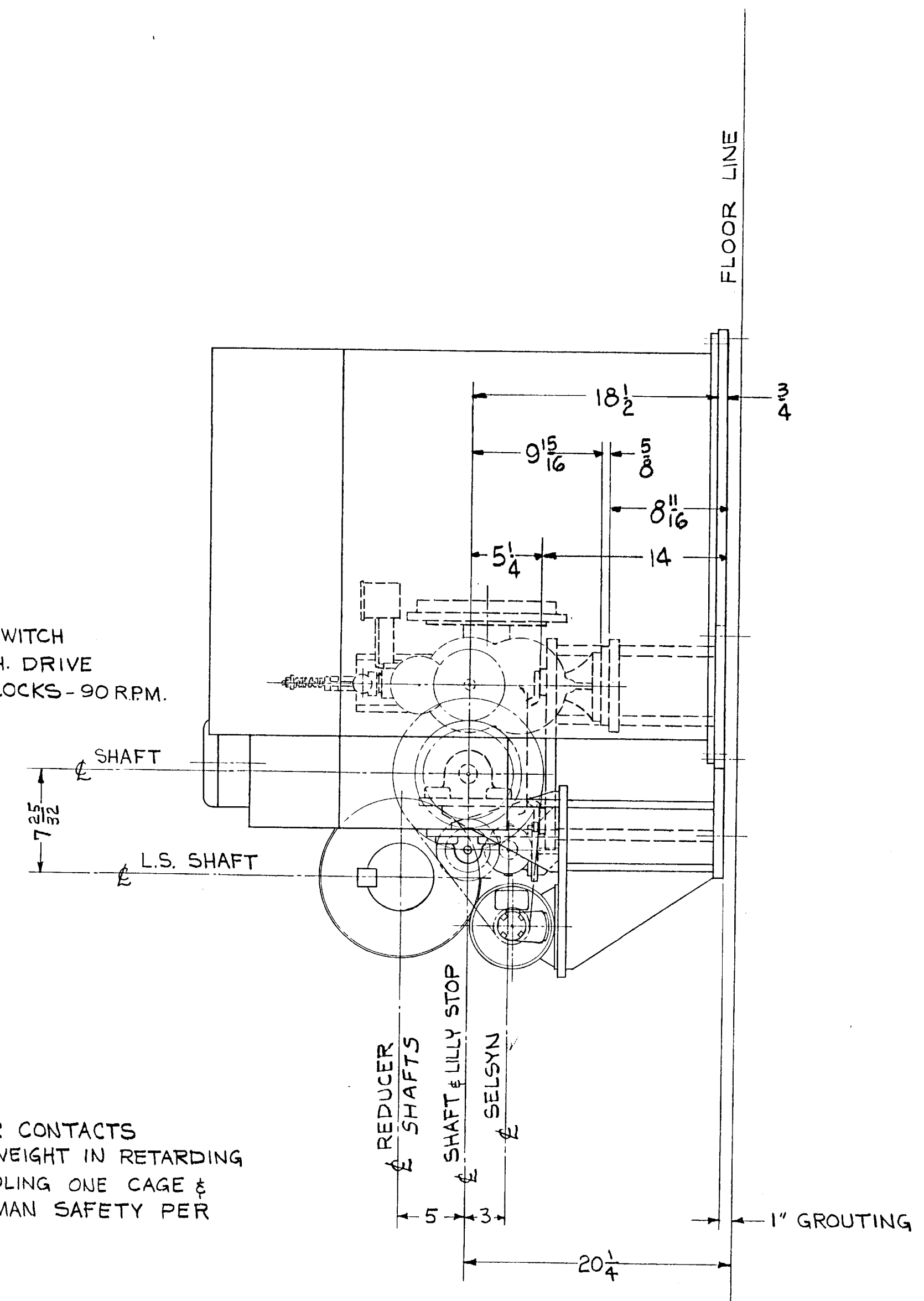
25 - G.E. PROGRAM SWITCH  
CR 2441 QB2 - L.H. DRIVE  
R.H. TERMINAL BLOCKS - 90 R.P.M.

24 - G.E. TACHOMETER  
5BC 44 AB 2312 - 360 R.P.M.

26 - MODEL "D" LILLY STOP - 138 R.P.M. - R.H. ASSEMBLY - NO. 7 COMBINATION - STD. GOVERNOR SILVER CONTACTS  
ELECTRIC CONTACTS FOR WARNING ALARM - BALL BEARING GOVERNOR DRIVE & WITH COUNTERWEIGHT IN RETARDING  
YOKE. LILLY STOP TO BE EQUIPPED WITH MAN SAFETY & SIGNAL LIGHTS SUITABLE FOR HANDLING ONE CAGE &  
ONE COUNTERWEIGHT ON A FRICTION WHEEL (NO MAN SAFETY HAND LEVER). AIR OPERATED MAN SAFETY PER  
DRAWING D-617-D. AIR PRESSURE 100-125 P.S.I. AND SOLENOID 115 VOLT-60 CYCLE.



23 - G.E. SELSYN TRANSMITTER  
2 JD 123 A 10A - 630 R.P.M.  
(ENLARGE HOLES IN SELSYN TO 9/32\"/>



SPECIFICATION FOR 1 SET

NO. REG.	NAME OF PART	ITEM NO.	DWG. NO.	PART CODE NO. OR PART NO.	MATERIAL MAT'L CODE NO.	REMARKS OR PATT. NO.	FIN. WGT. LBS. EACH
1	BASEPLATE	1	4H-723				
1	SPUR GEAR 96T-8DP	2	2H-1572				
1	SPUR GEAR 52T-8DP	3	2H-1571				
1	SPUR GEAR 98T-12DP	4	2H-1570				
1	LILLY STOP GEAR 64T-12DP	5	R-14749				
1	SPUR GEAR 42T-12DP	6	2H-1592				
1	SPUR GEAR 90T-20DP	7	2H-1593				
1	SPUR GEAR 30T-20DP	8	H-517				
1	PULLEY	9	2H-1566				
1	PULLEY	10	H-1532				
1	TIMING BELT	11	3/8" PITCH - 3/4" WIDE			MAUREY 480L075	
1	SHAFT	12	2H-1573				
1	SHAFT	13	2H-1574				
1	COUPLING	14	H-1539				
		15					
1	1/8" LAMINATED SHIM	16	R-14231	7049 3650			
2	1/8" LAMINATED SHIM	17	R-13391				
2	1/8" LAMINATED SHIM	18	H-503				
4	1/8" LAMINATED SHIM	19	R-14510	7049 0325			
1	1/4" PILLOW BLOCK	20		5398011			
2	5/8" PILLOW BLOCK	21		5397975			
1	DIFFERENTIAL SYNCHRO.	22				GE. TYPE 51A47	SEE PD AIG 81740
1	SELSYN TRANSMITTER	23				GEN. ELEC. 2JD 123A 10A	
1	G.E. TACHOMETER	24				GEN. ELEC. 5BC 44 AB 2312	SEE PD AIG 81740
1	G.E. PROGRAM SWITCH	25				CR 2441 QB2	SEE PD AIG 81740
1	LILLY STOP MODEL "D"	26				L.H. DRIVE - 2H. S.L.C. #7 COMBINATION R.H. ASSEM. - 138 R.P.M.	
1	TRANSFORMER	27	DS-8062	8205 1188		110V. - 10V.	
1	4" BELL 8V. - 10V.	28	DS-8063	5190090			
1	1 1/4" x 1 1/4" x 7/8" SQ. KEY	29				0296260	
1	1/4" x 1/4" x 2 1/4" FEATHER KEY	30		3350123			
1	3/16" x 3/16" x 1 1/2" FEATHER KEY	31		3350063			
8	1/2"-13 x 1 1/4" HEX HEAD CAPSCREW	32		2775 291			
2	1/2"-13 x 1 1/2" HEX HEAD CAPSCREW	33		2775 301			
4	1/2"-13 x 2" SOCK. HEAD CAPSCREW	34		2783321			
4	3/8"-16 x 1 1/4" HEX HEAD CAPSCREW	35		2774791			
4	5/16"-18 x 3/4" HEX HEAD CAPSCREW	36		2774521			
4	1/4"-20 x 3/4" HEX HEAD CAPSCREW	37		2774271			
2	1/2" S.A.E. WASHER	38		3060476			
4	3/8" S.A.E. WASHER	39		3060470			
		40					
		41					
		42					
1	GEAR GUARD	43	3H-1067				
1	GEAR GUARD	44	3H-1068				

▲  
▲  
▲

1	U.S. SMELTING	1030 1112	
SETS USED FOR ORD. NO. REMARKS			
NORDBERG MFG. CO. MILWAUKEE, WIS.			
SCALE 1/2" = 1'-0" TOLERANCE ON FINISHED DIMENSIONS IS .015" UNLESS OTHERWISE SPECIFIED			
FINISHED SYMBOLS ARE ROOT MEAN SQUARE DEVIATIONS FROM NEAR SURFACE			
DRAWN G.J.S. DATE 8-20-65 CHECKED RGL DATE 9-18-65			
TRACED DATE APPROVED RGL DATE 9-16-65			
SUPERSEDES BY DWG. NO.			
PRODUCT MINE HOIST			
COMMODITY CLASSIFICATION			
TITLE LILLY STOP & PROGRAM SWITCH DRIVE ASSEMBLY			
DWG. NO. 4H-726			
GROUP II			

REV.	DESCRIPTION OF CHANGE	LOCATION	DATE	BY	CHANGE ORDER NO.
1	REMOVED ITEMS 40, 41, 42 AND SECTIONS SHOWING SAME	C-3	9-22-65	RGL	17657